



# Automatic Part ID Plug-in Build 1331 Release Notes

August 7, 2009

## Description

To increase productivity and reduce introduction of errors the Automatic Part ID plug-in was developed to add part information markup to each part in the assembly. For example if a user wants to add the part name to each part in the assembly today they have to type in the name manually. This is prone to typographical errors and is very time consuming.

The Automatic Part ID plug-in automates this process.

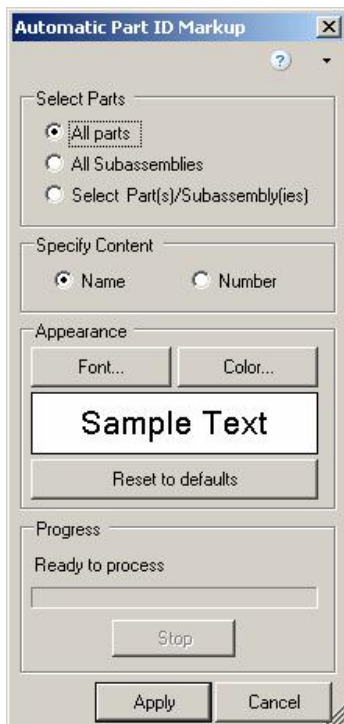
## Requirements

- SpinFire Professional 8.3 or above
- Reader Build 1247
- .Net 2.0

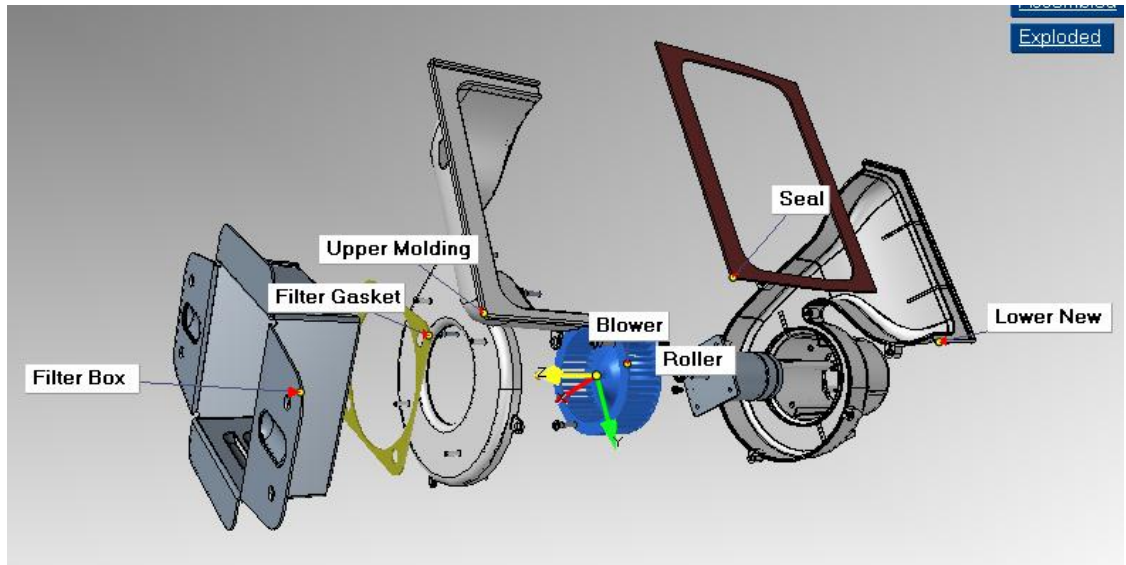
## Procedures

### To Create Markup

1. Invoke the **Auto Note** from the **Tools** menu on the toolbar.
2. The Automatic Part ID Markup dialog gives the user options to select the parts/assemblies and create the markup



After the creation of the markup the assembly would look something like the following.



For more detailed information, the plug-in comes with complete on-line documentation. To access it select the question mark icon in the upper right corner of the plug-in dialog.